

For Automatic Door Activation

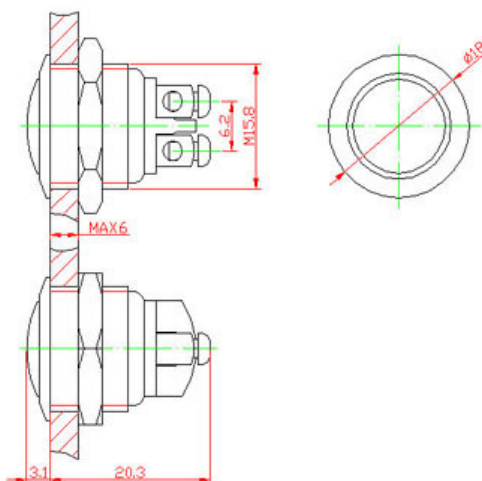
Push Button Snsor-Switch

Picture	Type-choosing Explanation
---------	---------------------------

Installation Size	Type	Remarks
Φ16mm	WF16-B	There are Nickel-plated brass crust (N), Gold-plated brass Crust (G), Stainless Steel Crust (S) can be selected.
Φ19mm	WF19-B	



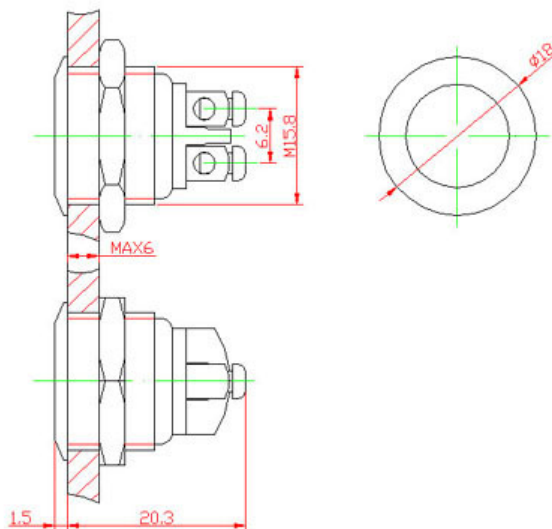
Ball head



Installation Size	Type	Remarks
Φ16mm	WF16-F	There are Nickel-plated brass crust(N), Gold-plated brass Crust (G), Stainless Steel Crust (S) can be selected.
Φ19mm	WF19-F	



Flat head

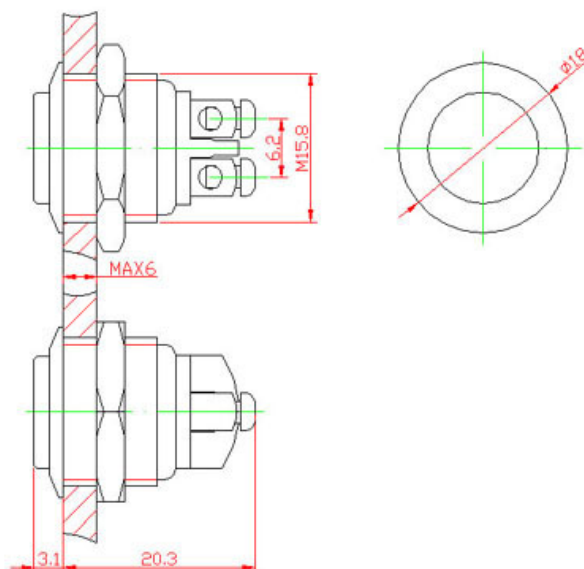


Push Button Sensor-Switch

Installation Size	Type	Remarks
Φ16mm	WF16-H	There are Nickel-plated brass crust(N), Gold-plated brass Crust (G), Stainless Steel Crust (S) can be selected.
Φ19mm	WF19-H	



High flat head



Shanghai Wafer Microelectronics Co.,Ltd

上海晶圆微电子有限公司

No.306,Science and Technology Building,
680,Guiping Road,Shanghai,China 200233

Tel: 86-21-64856327/64856328

Fax: 86-21-64856731

Email: wafer@waferstar.com

Website: www.waferstar.com

Automatic Microwave Sensor



W·A·F·E·R

Expand the world, Toward the future